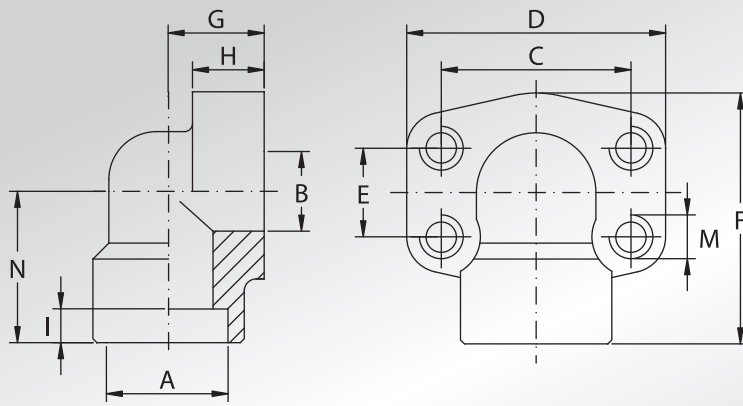


**CONTROFLANGE
A 90° A SALDARE
DI TASCA**



**WELD IN 90°
COUNTER-FLANGES**



Pressione max di esercizio raccomandata Kg/cm ²	Grandezza	Tipo	Dimensioni											Peso Kg
			Dimensions											
Maximum recommended working pressure Kg/cm ²	Size	Type	A	B	C	D	E	F	G	H	I	M	N	Weight Kg
			SERIE 3000											
345	1/2"	GFS08090S	21,6	13	38,10	54	17,48	60	20	16	10	M8	37	0,28
345	1/2"	GFS08090S038	17,5	13	38,10	54	17,48	60	20	16	10	M8	37	0,29
345	3/4"	GFS10090S	27,2	19	47,63	65	22,23	63	24	18	10	M10	38	0,45
345	1"	GFS10290S	34,0	25	52,37	70	26,19	70	28	19	12	M10	43	0,56
276	1"1/4	GFS10490S	42,8	32	58,72	79	30,18	85	34	21	14	M10	51	0,89
207	1"1/2	GFS10690S	48,6	38	69,85	93	35,71	95	38	25	16	M12	56	1,18
207	2"	GFS10890S	61,0	51	77,77	110	42,88	110	42	25	18	M12	65	2,06
SERIE 6000														
414	1/2"	GFS40190S012	21,6	13	40,49	54	18,24	60	20	16	10	M8	37	0,28
414	1/2"	GFS40190S038	17,5	13	40,49	54	18,24	60	20	16	10	M8	37	0,29
414	3/4"	GFS40290S	27,2	19	50,80	70	23,80	70	28	19	12	M10	43	0,69
414	1"	GFS40390S	34,0	25	57,15	79	27,76	85	34	21	14	M12	51	1,11
414	1"1/4	GFS40490S	42,8	32	66,68	93	31,75	95	38	25	16	M14	56	1,45
414	1"1/2	GFS40590S	48,6	38	79,38	110	36,50	110	42	25	18	M16	65	2,75
414	2"	GFS40690S	61,0	51	96,82	134	44,45	132	45	35	25	M20	75	3,85

**DESIGNAZIONE PER ORDINE
DESIGNATION FOR ORDER**

Materiale / Material

NOTE / NOTES

ST52.3

AISI 316L

Controflangia con fori di fissaggio filettati metrici
Counter-flange with metric threaded fixing holes

GFS...90S

GFX...90S