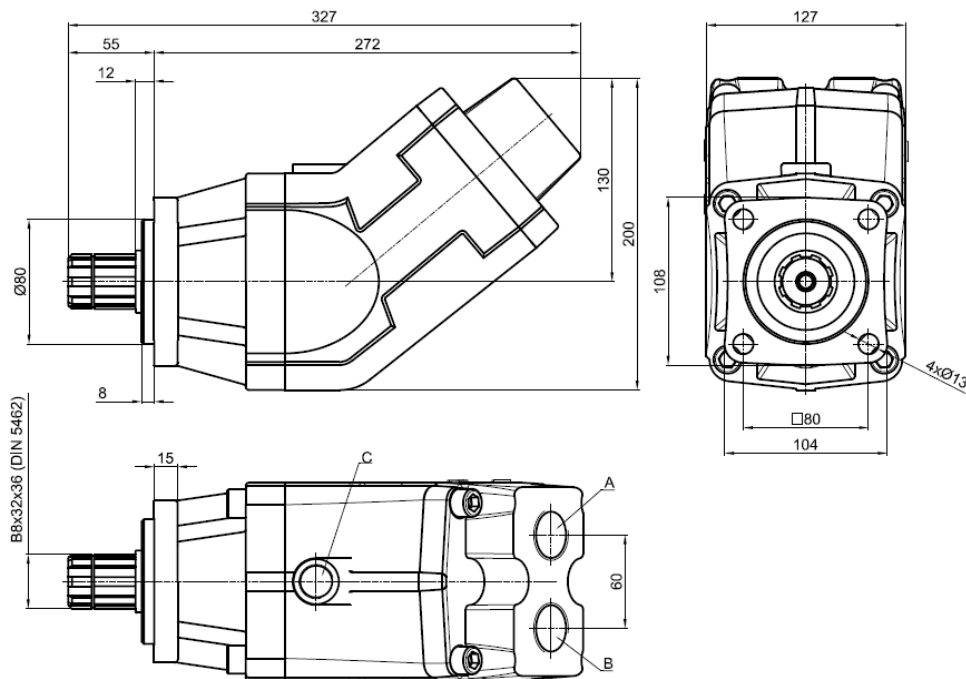




OIL-HYDRAULIC BENT MOTOR AXIAL PISTONS

Ref.
MBI P7

Main Dimensions



(Dimensions in mm)

Main Data

	80P7	110P7	135P7
Motors MBI	80P7	110P7	135P7
Cylinder capacity (cm³/rot.)	80	108	136
Rotation (rpm)			
max. intermittent	3000	2800	2500
max. continuous	2400	2250	2000
Pressure (bar)			
max. intermittent	400	400	300
max. continuous	350	350	250
Max torque – theoretical value (Nm)	505	685	645
Weight (kg)	13	13.4	13.8
Pistons quantity	7	7	7
A-Oil port (mm)	1" BSP	1" BSP	1" BSP
B-Oil port (mm)	1" BSP	1" BSP	1" BSP
C-Drain hole	M22x1.5	M22x1.5	M22x1.5

How to order:

Example: Motor 80cm³/rot.; pressures 400/350 bar; rotation 3000/2400; ref. MBI P7 → MBI80P7

Important notes:

-To install one of these motors, please consult and respect the instruction "BI motors recommendations before start-up".

ABER is constantly engaged in improving its products and, therefore, reserves itself the right to modify without any further notice the characteristics shown



ABER - Embraagens e Comandos Hidráulicos - A. B. LDA

Rua Francisco de Almeida, Nº 30 – Vila Nova da Telha – 4470 MAIA - Portugal

Telephone: +351.22.9438070 Fax: +351.22.9420823 e-mail: aber@aber.pt <http://www.aber.pt>